

Tool to remove swinging arms

Universal



MADE IN ITALY

Special device for swinging arms removal, suitable for cars and commercial vehicles

450
125
1000
11 Kg

UNIVERSAL – FITS ALL TRACK WIDTHS

DOUBLE ARM REMOVAL SYSTEM

OPERATED VIA PNEUMATIC IMPACT WRENCH



MAX TORQUE 50Nm

yes



Item code

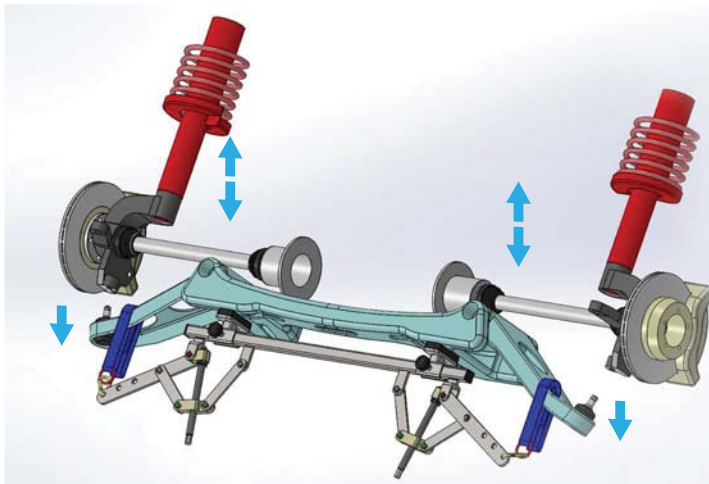
322 010 000



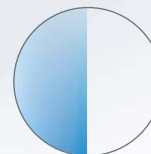
- ▶ Only one operator required to carry out the entire assembly.
- ▶ Simultaneous removal of both oscillating arms.
- ▶ Ultra-fast operation: use of impact gun.
- ▶ Detachment through belt which guarantees utmost safety and keeps arms intact.
- ▶ Sliding support feet to fit any underbody.



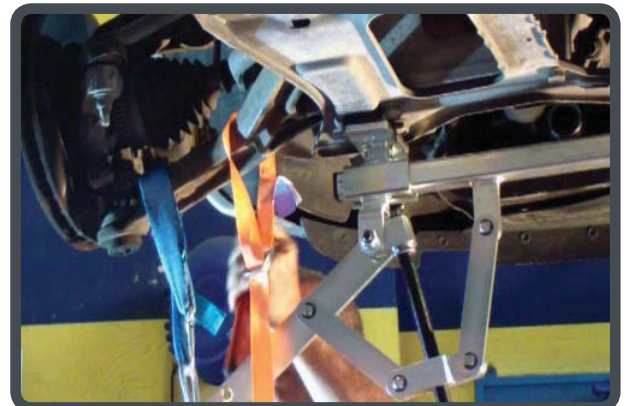
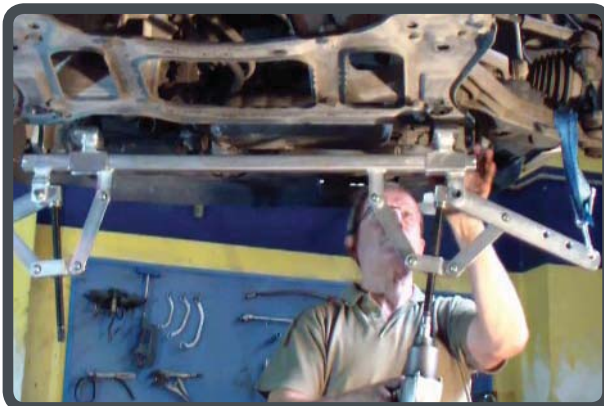
- ▶ Universal for cars and commercial vehicles.
- ▶ Suitable for all track widths.



75% TIME SAVING
compared to
traditional mounting
systems



50% TIME SAVING
compared to traditional
lever arm detaching tools on
the market



Tool to remove swinging arms



SUITABLE FOR ALL TRACK WIDTHS

