

Shock absorber spring locking tool.



HIGH PROFESSIONAL

QUICK TO USE



Complete Kit

321 090 000

SUPPORTING TOOL TO BE USED WITH THE SPRING STRUT COMPRESSOR OF GOVONI RANGE: 321051000, 321055000, 321056000 AND 321094000.

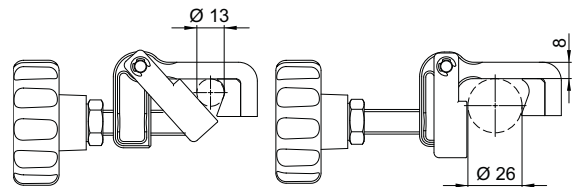
This tool is necessary to fix the spring to the brackets during compression and release operations since modern helical compression springs have changed a lot over the years, increasing considerably the space within coils and consequently the inclination of the supporting point relative to the bracket

By keeping firmly locked the coil to the bracket using this vice, the user can work in complete safety also during the maximum spring compression.

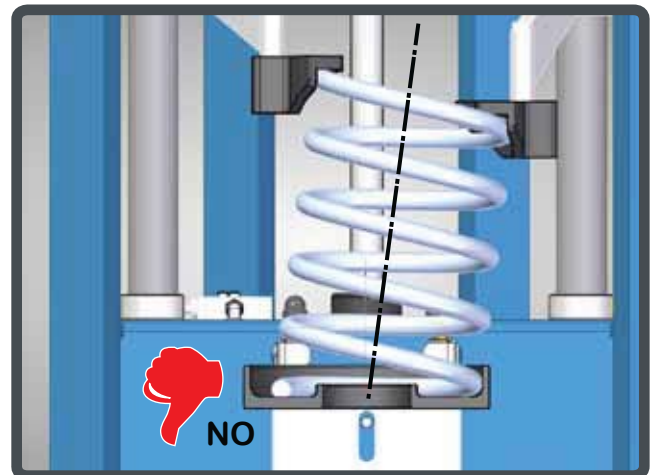
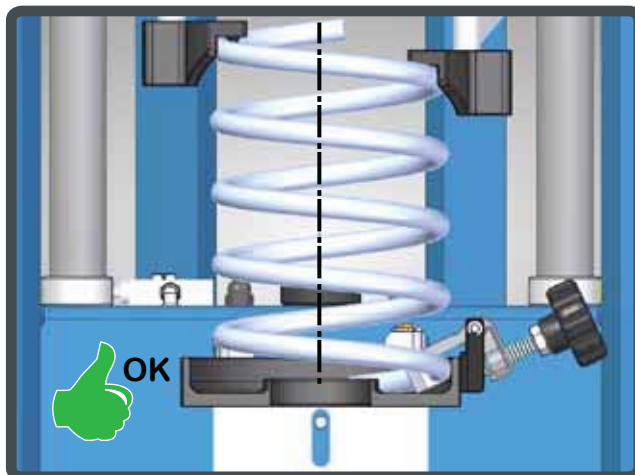
- ▶ Ultralight.
- ▶ Specific plastic scratchproof coat to protect the spring surface.
- ▶ It grants anchoring of the spring, avoiding accidents and injuries of the operator.
- ▶ Ideal for every model of coil spring compressor, **NECESSARY ON TOOLS WITHOUT PROTECTIONS.**
- ▶ Universal, ideal for springs with coil $\varnothing 13 - \varnothing 26$ mm.



✓ **Compact design and dimensions to work on all the spring type**



✓ **Improved assembling/disassembling procedure, holding the spring on the correct working position**



Spring locking tool

It grants anchoring of the spring



Ideal for every model of coil spring compressor



Compact design



Specific plastic scratchproof coat to protect the spring surface



Components

321090000

Shock absorber spring locker

