

**“Engine timing set & fuel pump
locking/removal tools suitable for
Jaguar / Land Rover 2.0 Ingenium Diesel
engines”**

Rev.0 092020

FG 192/LR11



TIMING TOOLS

WARNINGS



ALWAYS REFER TO THE VEHICLE MANUFACTURER'S INSTRUCTIONS AND TO THE MANUAL OF THE VEHICLE IN ORDER TO KNOW THE DATA AND PROCEDURES THAT YOU MUST USE. THIS DOCUMENT MUST BE USED ONLY FOR INFORMATION.



ALWAYS USE PROPER PROTECTIVE GLOVES



ALWAYS USE PROPER PROTECTIVE GLASSES



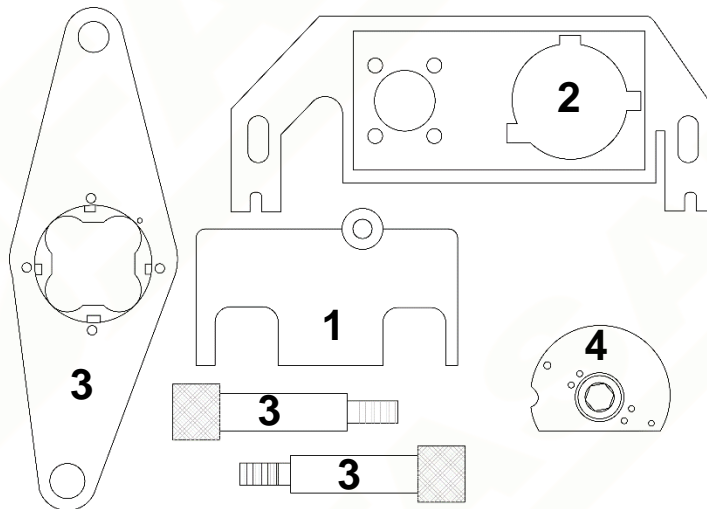
ATTENTION

The wrong timing or out of phase of the engine can result in a damage of the valves. The use of these timing tools is at solely discretion of the user and, the Fasangas Srl can not be held responsible for any damage to the engine caused by the use of these timing tools.

IMPORTANT SAFETY INSTRUCTIONS:

- ALWAYS disconnect the battery earth leads (before check the radio code if it's available)
- DO NOT turn crankshaft or camshaft with the timing belt/chain removed.
- Remove spark plugs to make the engine turn easier.
- ALWAYS turn the engine in the normal direction of rotation (unless otherwise stated).
- Mark the position of the crankshaft position sensor before disassembly (If it's supplied).
- NEVER turn the crankshaft via camshaft or other gears.
- ALWAYS observe all tightening torques.
- NEVER use cleaning fluids on belts, sprockets or rollers.

CONTENT: special tools



FASANO TOOLS CODE	OEM CODE	DESCRIPTION / USE
FG 192/LR11-1	JLR-303-1625	Camshaft locking tool
FG 192/LR11-2	JLR-303-1631	Camshaft adjuster/sprocket holding tool
FG 192/LR11-3	JLR-303-1630	Crankshaft pulley locking tool
FG 192/LR11-4	JLR-303-1627	Fuel pump locking/removal tool

APPLICATIONS

JAGUAR

MODEL	kW (hp) rpm	ENGINE CODE	ENGINE	
E-Pace (X540) D150 (2017 – 2019)	110 (150) 3500	204DT	2,0	D
E-Pace (X540) D180 (2017 – 2019)	132 (180) 4000	204DT	2,0	D
E-Pace (X540) D240 (2017 – 2019)	177 (240) 4000	204DTA	2,0	D
F-Pace (X761) 20d (2016 – 2019)	132 (180) 4000	AJ-200D/204DT	2,0	D
F-Pace (X761) 25d (2017 – 2019)	177 (241) 4000	AJ-200D/204DT	2,0	D
F-Pace (X761) E-Performance (2017 – 2019)	120 (163) 4000	AJ-200D/204DT	2,0	D
XE (X760) 20d (2015 – 2019)	132 (180) 4000	AJ-200D/204DT	2,0	D
XE (X760) 20d/E-Performance (2015 – 2019)	120 (163) 4000	AJ-200D/204DT	2,0	D
XE (X760) 25d (2017 – 2019)	177 (241)	AJ-200D/204DTA	2,0	D
XF (X260) (2015 – 2019)	120 (163) 4000	AJ-200D/204DT	2,0	D
XF (X260) (2015 – 2019)	132 (180) 4000	AJ-200D/204DT	2,0	D
XF (X260) 25d (2017 – 2019)	177 (241) 4000	204DTA	2,0	D
XF (X260) (2016 – 2017)	132 (180) 4000	AJ-200D	2,0	D

LAND ROVER

	kW (hp) rpm	ENGINE CODE	ENGINE	
Discovery Sd4 (2017 – 2019)	177 (240) 4000	AJ200D	2,0	D
Discovery Td4 (2017 – 2019)	132 (180) 4000	AJ200D	2,0	D
Discovery Sport TD4 (2015 – 2019)	110 (150) 4000	AJ200/204DTD	2,0	D
Discovery Sport SD4/TD4 (2015 – 2019)	132 (180) 4000	AJ200/204DTD	2,0	D
Discovery Sport SD4 (2017 – 2019)	177 (241) 4000	AJ200/204DTA	2,0	D
Range Rover Evoque eD4 (2015 – 2019)	110 (150) 4000	AJ200/204DTD	2,0	D
Range Rover Evoque TD4 (2015 – 2019)	110 (150) 4000	AJ200/204DTD	2,0	D
Range Rover Evoque TD4 (2015 – 2019)	132 (180) 4000	AJ200/204DTD	2,0	D
Range Rover Evoque SD4 (2017 – 2019)	177 (241) 4000	AJ200D/204DTA	2,0	D
Range Rover Evoque Convertible eD4 (2017 – 2019)	110 (150) 4000	AJ200/204DTD	2,0	D
Range Rover Evoque Convertible TD4 (2017 – 2019)	110 (150) 4000	AJ200/204DTD	2,0	D
Range Rover Evoque Convertible TD4 (2016 – 2019)	132 (180) 4000	AJ200/204DTD	2,0	D
Range Rover Evoque Convertible SD4 (2017 – 2019)	177 (241) 4000	AJ200D/204DTA	2,0	D
Range Rover Sport SD4 (2016 – 2018)	177 (241) 4000	AJ200/204DTA	2,0	D
Range Rover Velar D180 (2017 – 2019)	132 (180) 4000	AJ200D/204DTD	2,0	D
Range Rover Velar D240 (2017 – 2019)	177 (241) 4000	AJ200D/204DTA	2,0	D