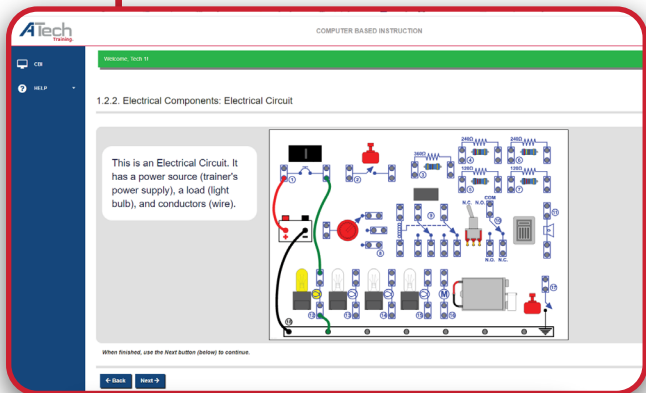




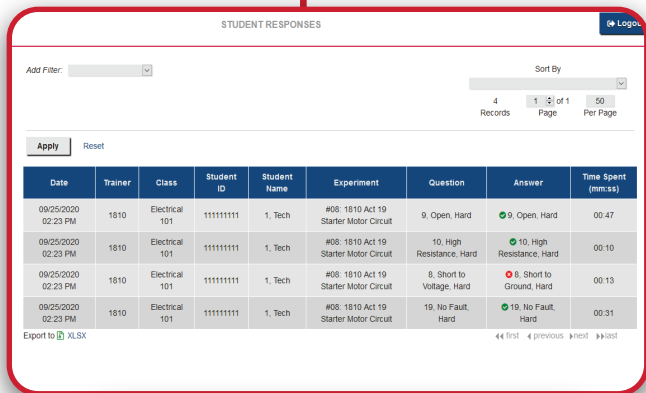
**Electricity Trainer (1810)**

The Electricity Trainer (model 1810) is an in-depth, hands-on study of electricity. Provides real world troubleshooting practice and competency testing. Hands-on and Computer Based Instruction. The internal fault board offers 22 different computer controlled hard faults.

The internal fault board communicates with the optional Interactive Keypad (1802C), the Electricity CBI software (1810SC), or the optional A Tech Lab System (ALS16) with the Classroom Management Program (CMP).



**Electricity CBI Software (1810SC)**



**Classroom Management Program (CMP)**

- The Electricity Trainer (1810) includes a USB drive containing the Student Manual, Instructor Guide and an on-site copy license to allow for the reproduction of instructional materials for use in the classroom.

- The Electricity CBI software (1810SC) includes an Operations Manual containing instructions for the CBI software and a detailed description of the fault capabilities.

- The Classroom Management Program (CMP) is required for the 1810SC software to operate and is sold separately

## Electricity CBI software (1810SC)

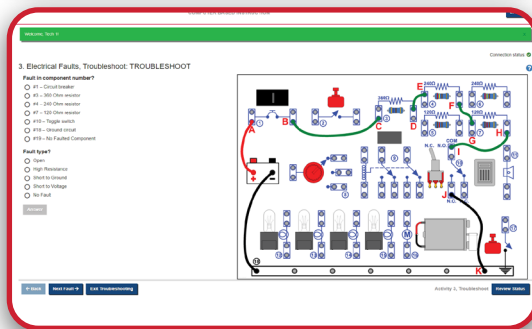
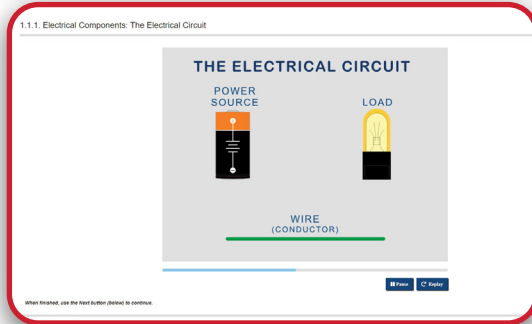


This program consists of sixteen student activities with animations, all designed to present the fundamentals of automotive electricity.

### Electricity CBI software Activity List:

- Electrical Components
- Voltage, Current, Meter, Series Circuits
- Electrical Fault Troubleshooting (Open, High Resistance, Short to Ground, & Short to Voltage)
- Ohm's Law, Parallel Circuits
- Relay & Trunk Release Circuit, Test Light
- Horn Circuit: Relay #2 and Jumper Wires
- Back-up Lamp Circuit: Switches, Auto Reset Circuit Protection
- Tail & Brake Light Circuit
- Starter Motor Circuit
- Turn Signal Circuit
- Ignition Key Warning Circuit
- Electric Cooling Fan Circuit
- Brake Warning Circuit
- Heater Blower Circuit
- Headlight Circuit
- Dome Light Circuit

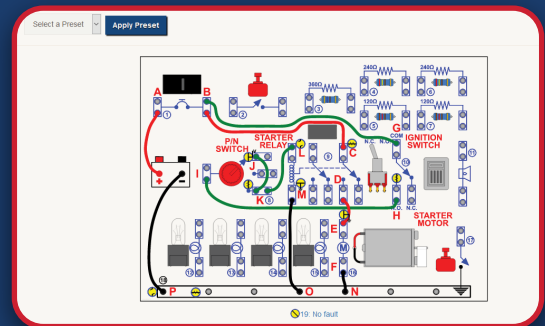
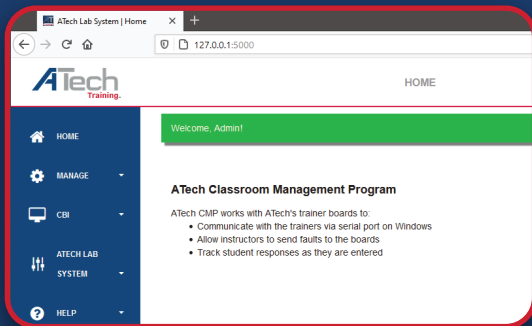
ACTIVITY PROGRESS	TROUBLESHOOT	EXAM
Electrical Components	Begin 0 / 26	N/A
Voltage, Current, Meter, Series Circuit	Begin 0 / 30	N/A
Electrical Faults, Troubleshooting	Begin 0 / 48	0 / 0 Got Exam Locked
Ohm's Law, Parallel Circuit	Begin 0 / 31	0 / 0 Got Exam Locked
Relay & Circuit, Test Light	Begin 0 / 28	0 / 0 Got Exam Locked
Horn Circuit, Relay #2, Jumper	Begin 0 / 42	0 / 0 Got Exam Locked
Switches, Breaker, Short Finder	Begin 0 / 26	0 / 0 Got Exam Locked
Tail & Brake Light Circuit	Begin 0 / 22	0 / 0 Got Exam Locked
Starter Motor Circuit	Begin 0 / 21	0 / 0 Got Exam Locked



## Classroom Management Program (CMP)

### The CMP allows an instructor to:

- Assign each student a unique I.D. number and password
- Student's performance is recorded to their account
- Student's information can be exported into a CSV file
- The instructor can insert faults for troubleshooting



### System Requirements:

- Windows 10 Professional or Enterprise (32/64 bit) (Windows 10 Education is not supported)
- Processor: 1 GHz (gigahertz) or faster
- Ram: 512MB
- Available USB port (for software installation)
- Hard Drive Space: **1810SC**: 234MB and **CMP**: 244MB

- The **CMP & 1810SC** uses an internet browser for its User Interface. Use one of the following browsers:
- Chrome or Firefox (Internet Explorer & Microsoft Edge are not compatible with either software)