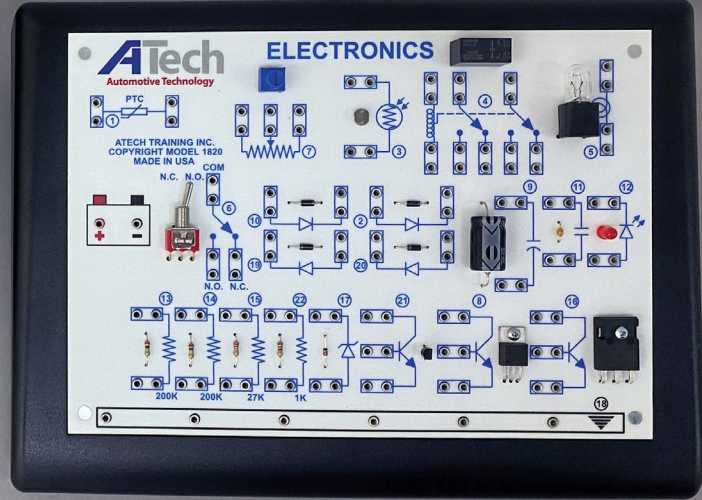
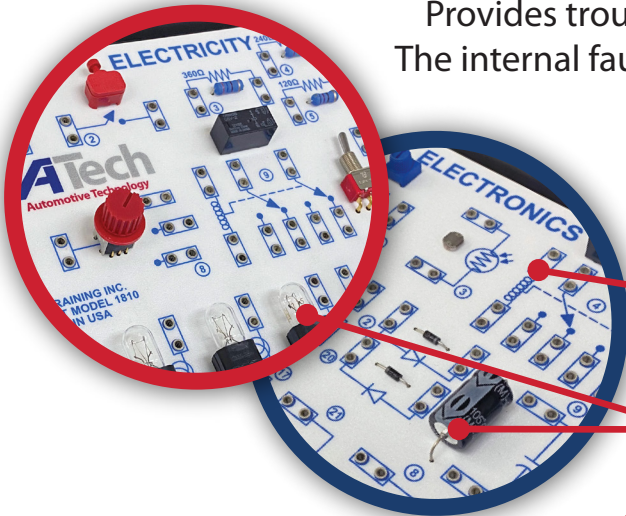


1810 Electricity Trainer



1820 Electronics Trainer

The trainers provide an in-depth, hands-on study of automotive electricity and electronics. Provides trouble shooting skill development and competency testing. The internal fault boards offer different computer controlled hard faults. Hands-on and Computer Based Instruction.

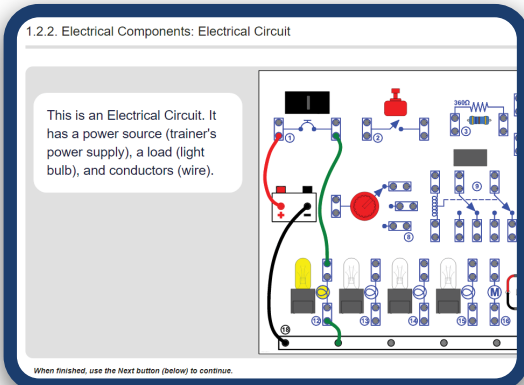


Features:

- Automotive electricity/electronics training
- Create Series, Parallel, and Series-Parallel Circuits
- Meter usage (Volts, Ohms, Amps)
- Classroom Management Program (CMP) Compatible
- Real fixed components

Optional add-ons:

CBI Software (1810SC/1820SC)



Keypad (1802C)



Storage Case

